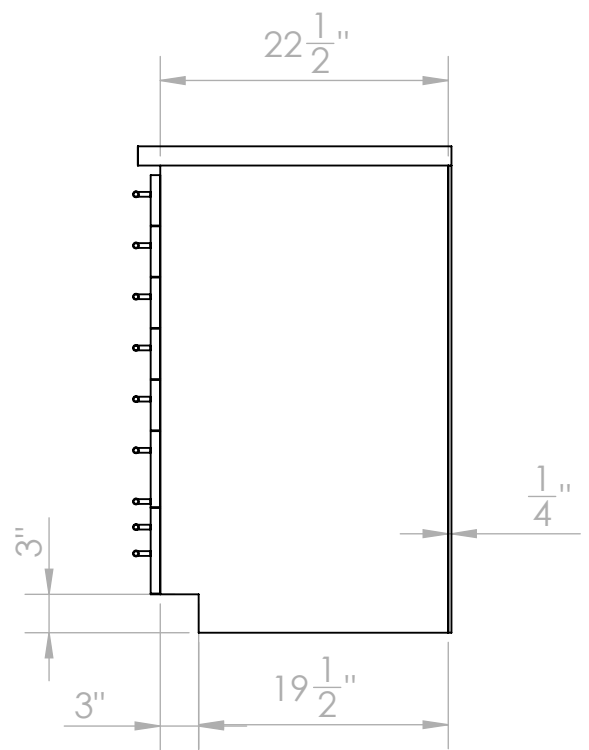
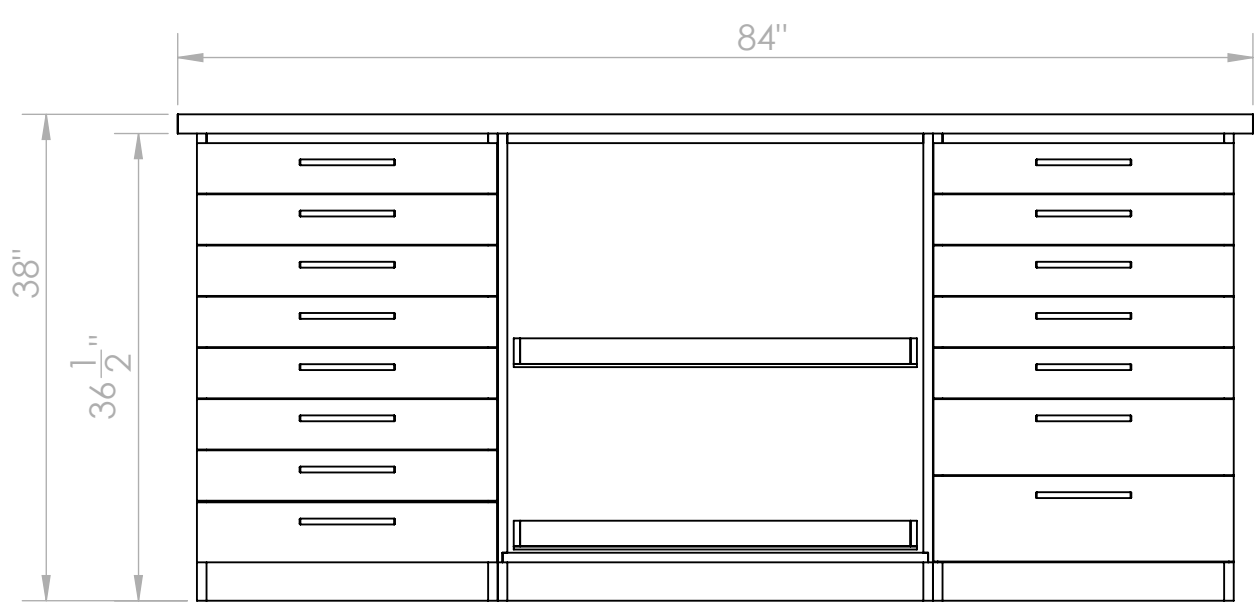
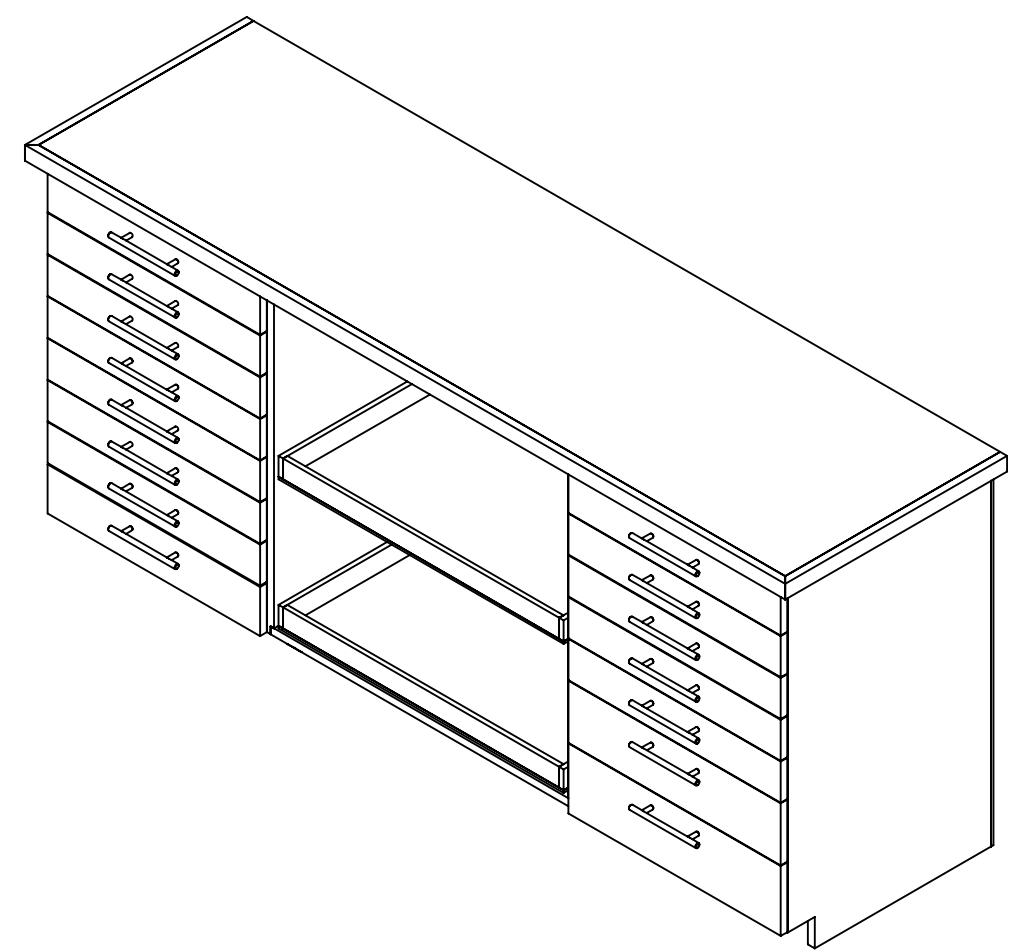
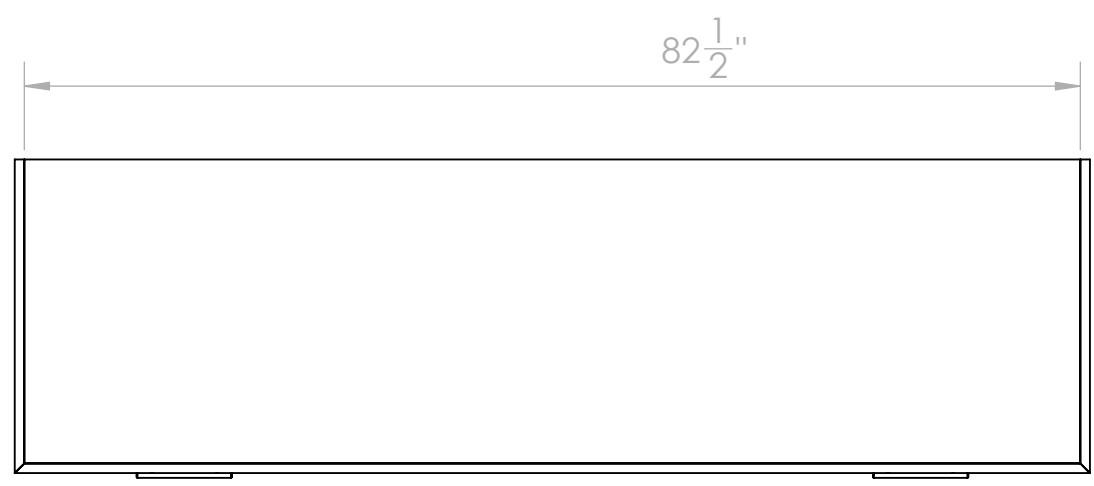


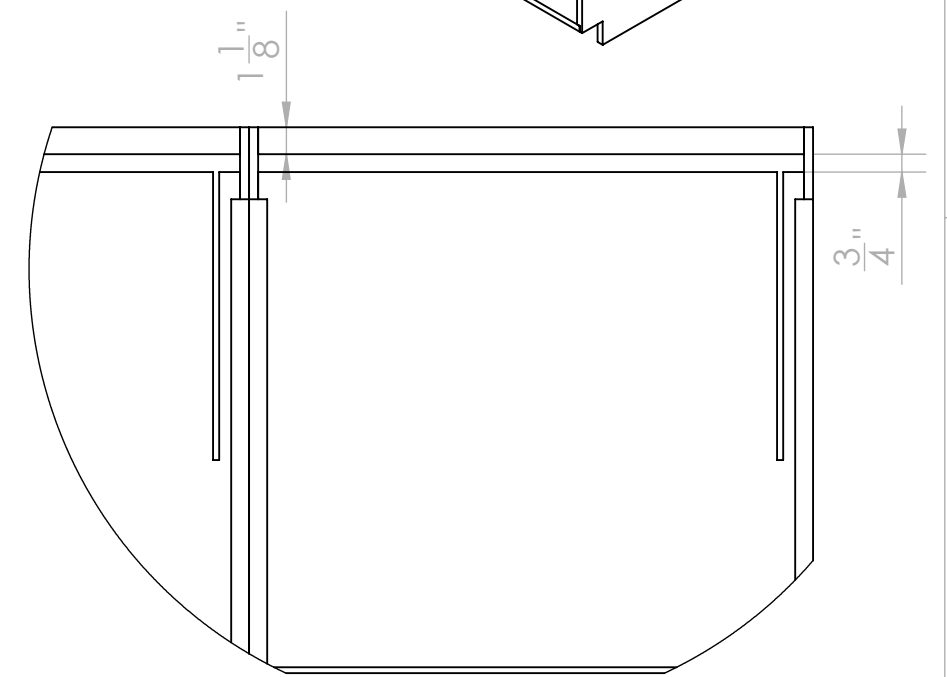
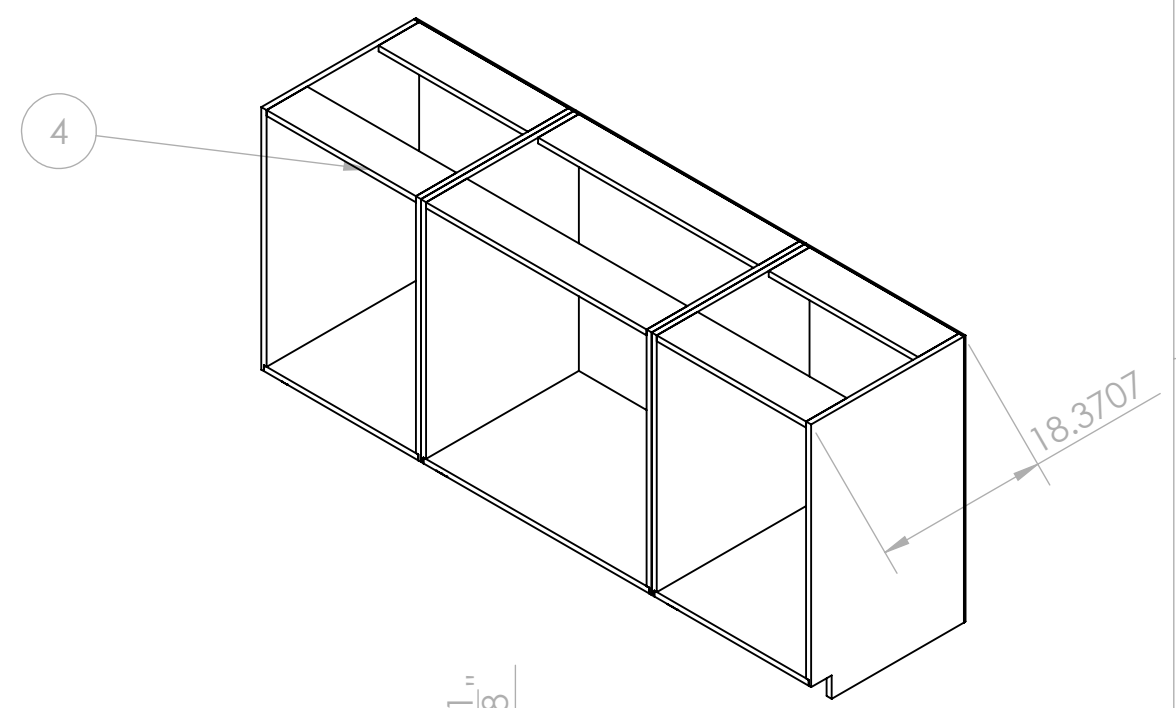
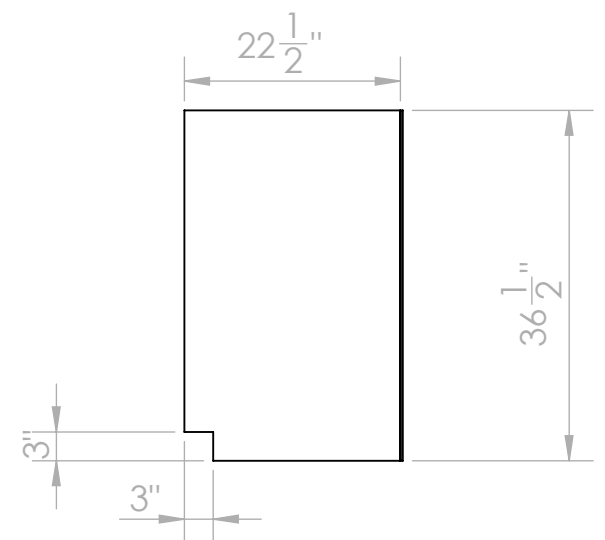
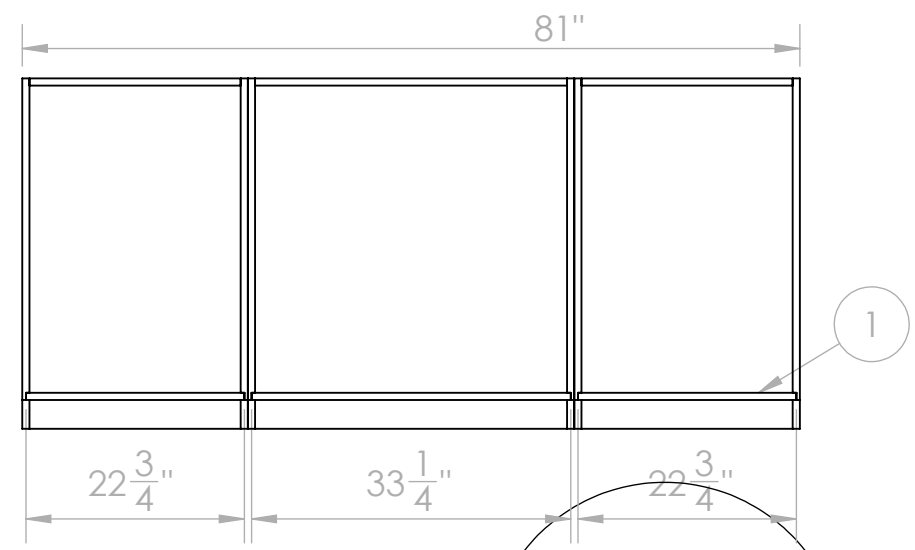
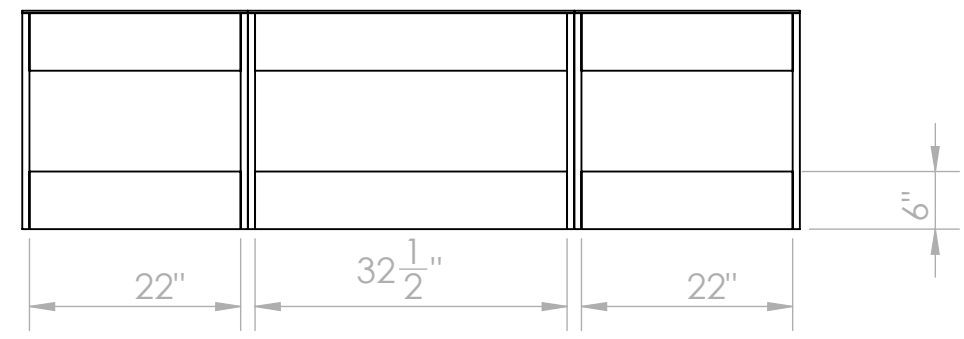
REVISIONS

ZONE	REV	DESCRIPTION	PROJECT	DATE	APPROVER	DATE
------	-----	-------------	---------	------	----------	------



PROJECT TITLE			NATIONAL AERONAUTICS AND SPACE ADMINISTRATION LANGLEY RESEARCH CENTER HAMPTON, VA 23681			
APPROVALS			DATE			
PRINTED NAME	SIGNATURE	DATE	8/10/2020			
DRWR						
CHKR						
ENGR						
EEE						
N/A or EEE						
PROJECT						
N/A or M&P						
APPR						
*						
DRAWING TITLE		SIZE	CAGE CODE	DWG NO.	REV.	
Drawing#		B	25305		*	
SCALE	1:15	SHEET	1 of 5			

REVISIONS					
ZONE	REV	DESCRIPTION	PROJECT	DATE	APPROVER

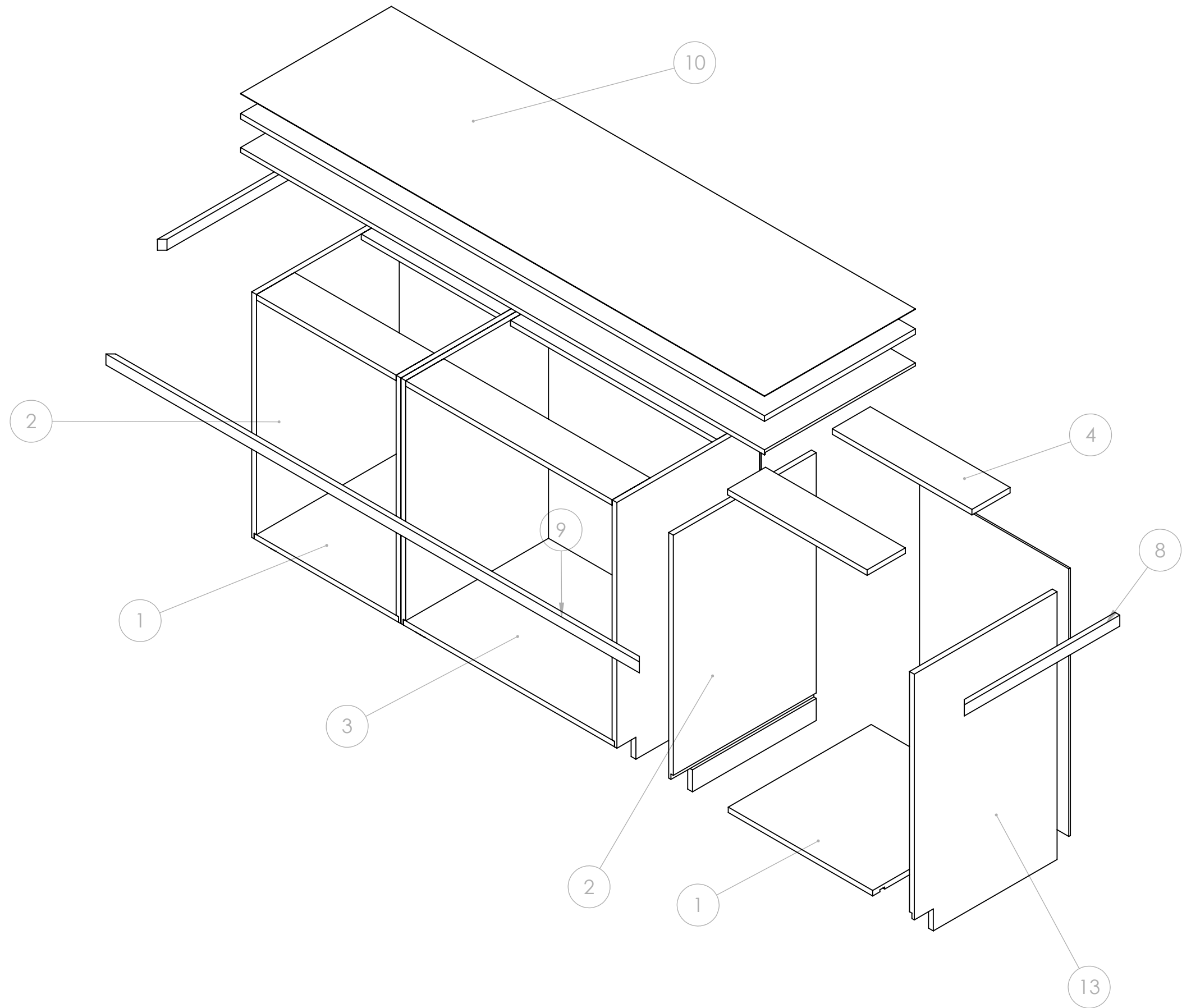


**DETAIL A**  
SCALE 1:8

- NOTES**
- Bottom Shelves are set in a dado 3/8" deep
  - Top stretchers are joined with pocket screws
  - Bottom shelves have a dado to accept LED aluminum channel

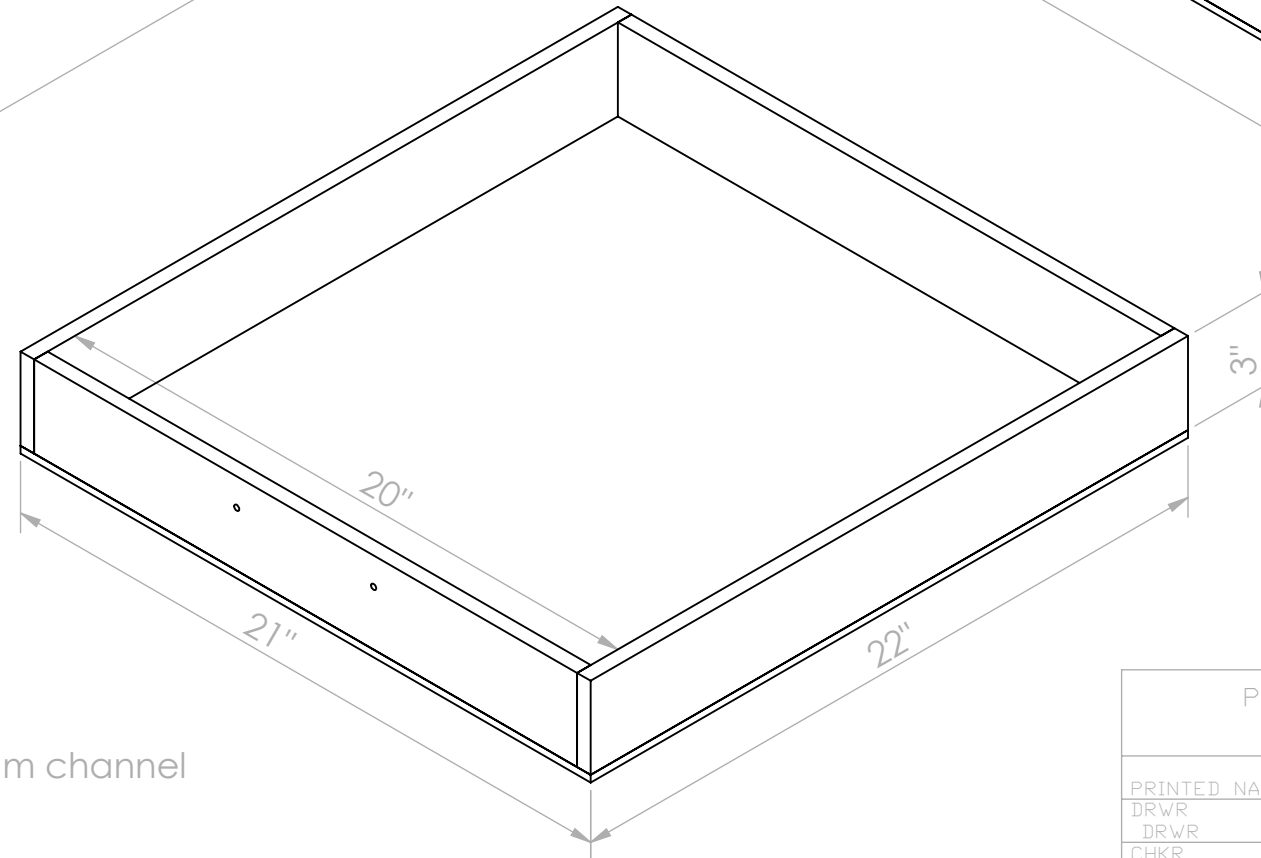
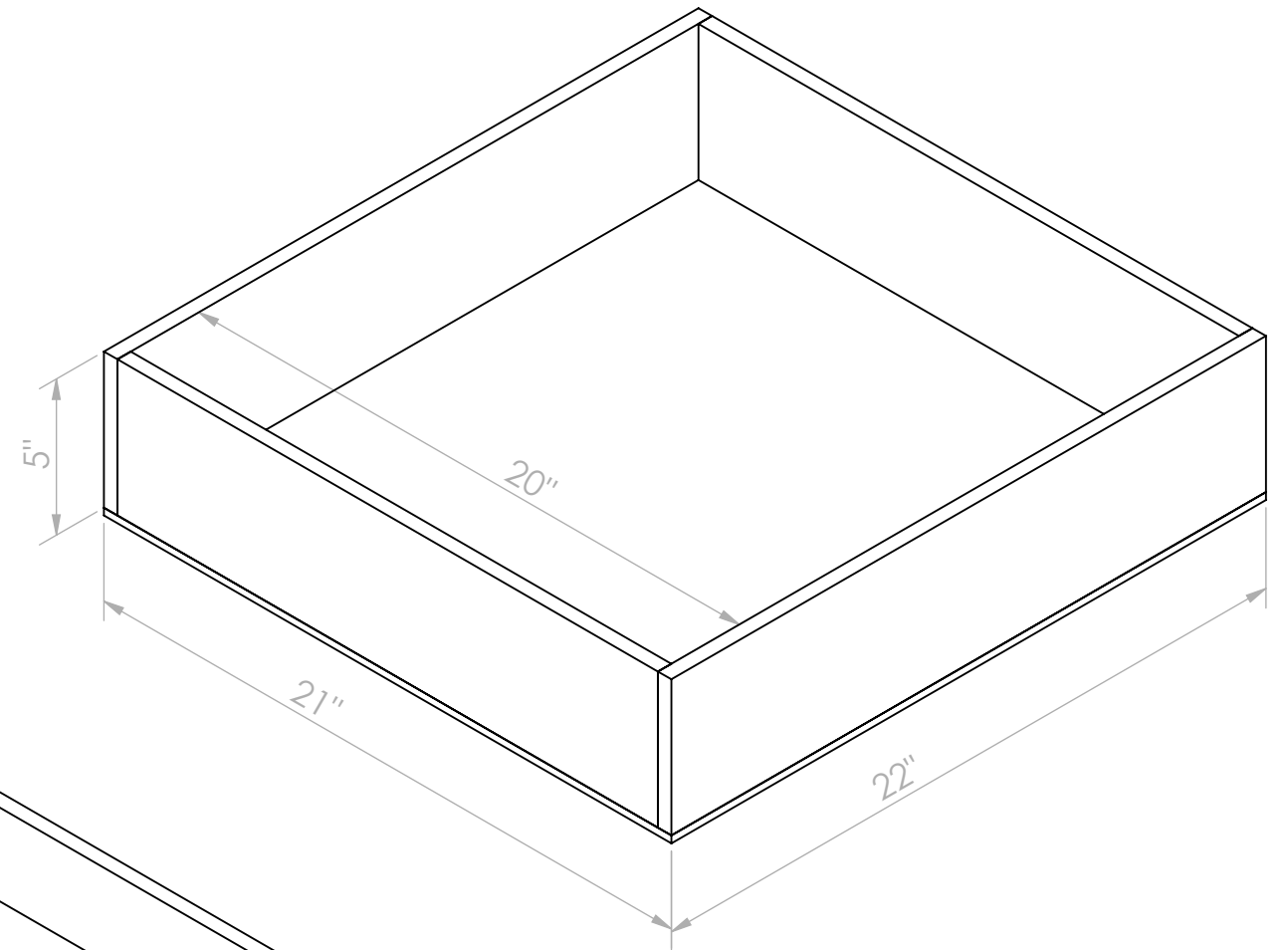
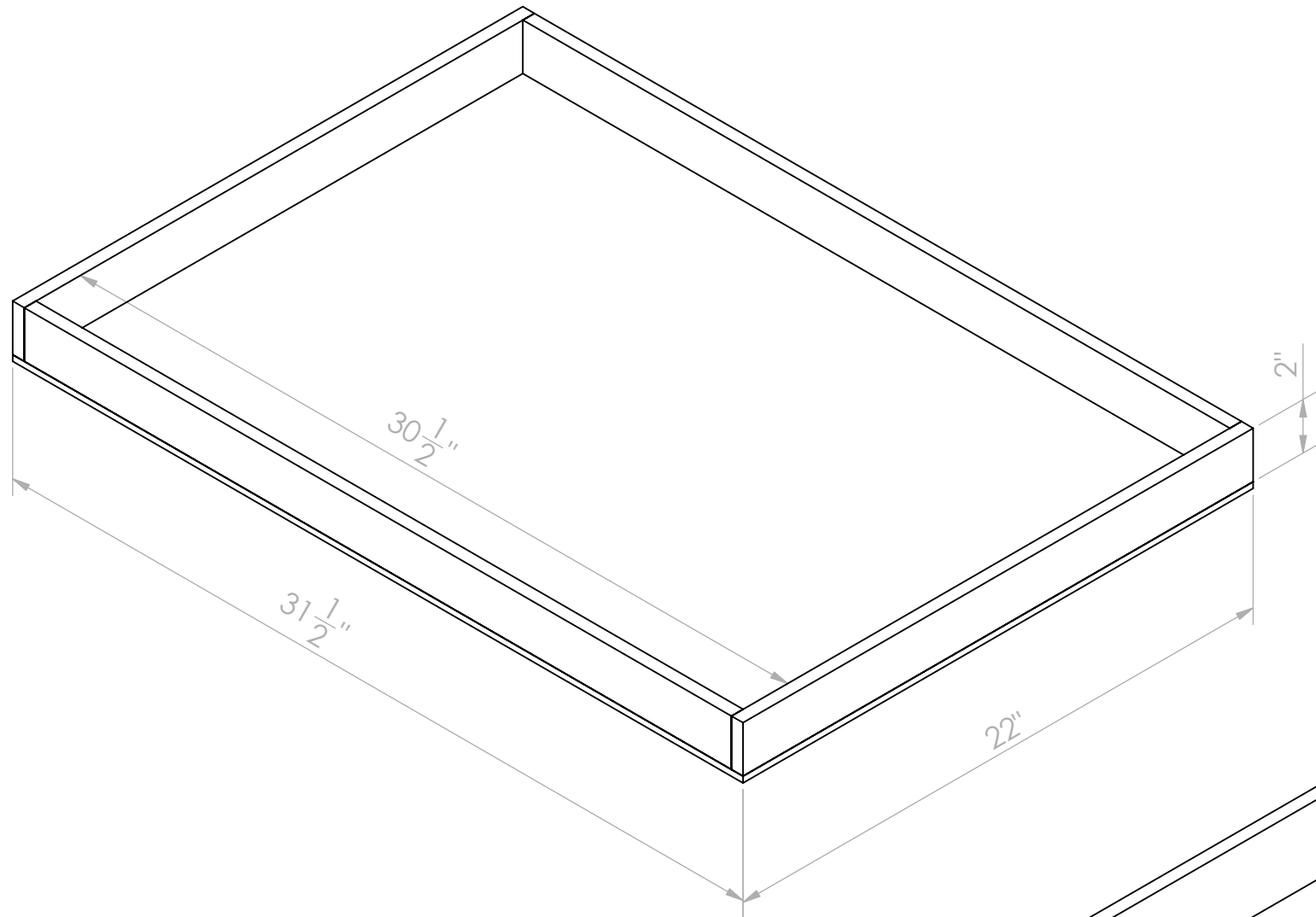
PROJECT TITLE		NATIONAL AERONAUTICS AND SPACE ADMINISTRATION LANGLEY RESEARCH CENTER HAMPTON, VA 23681			
APPROVALS		DATE			
PRINTED NAME	SIGNATURE	8/10/2020			
DRWR					
CHKR					
ENGR					
EEE					
N/A or EEE		SIZE	CAGE CODE	DWG NO.	REV.
PROJECT		B	25305	Drawing#	*
N/A or M&P		SCALE	1:20	SHEET	2 of 5
APPR					
*					

ITEM NO.	QTY.	Cut List Name
1	2	Small Bottoms
2	3	Left-Uprights
3	1	Large Bottom
4	4	Small Stringers
5	2	Middle Stringers
6	2	Small Backs
7	1	Middle Back
8	2	Top Trim
9	1	Front Trim
10	1	Laminate Top
11	1	Counter-Top Construction Ply
12	1	Counter Top Bottom
13	3	Right-Uprights



REVISIONS

ZONE	REV	DESCRIPTION	PROJECT	DATE	APPROVER	DATE
------	-----	-------------	---------	------	----------	------



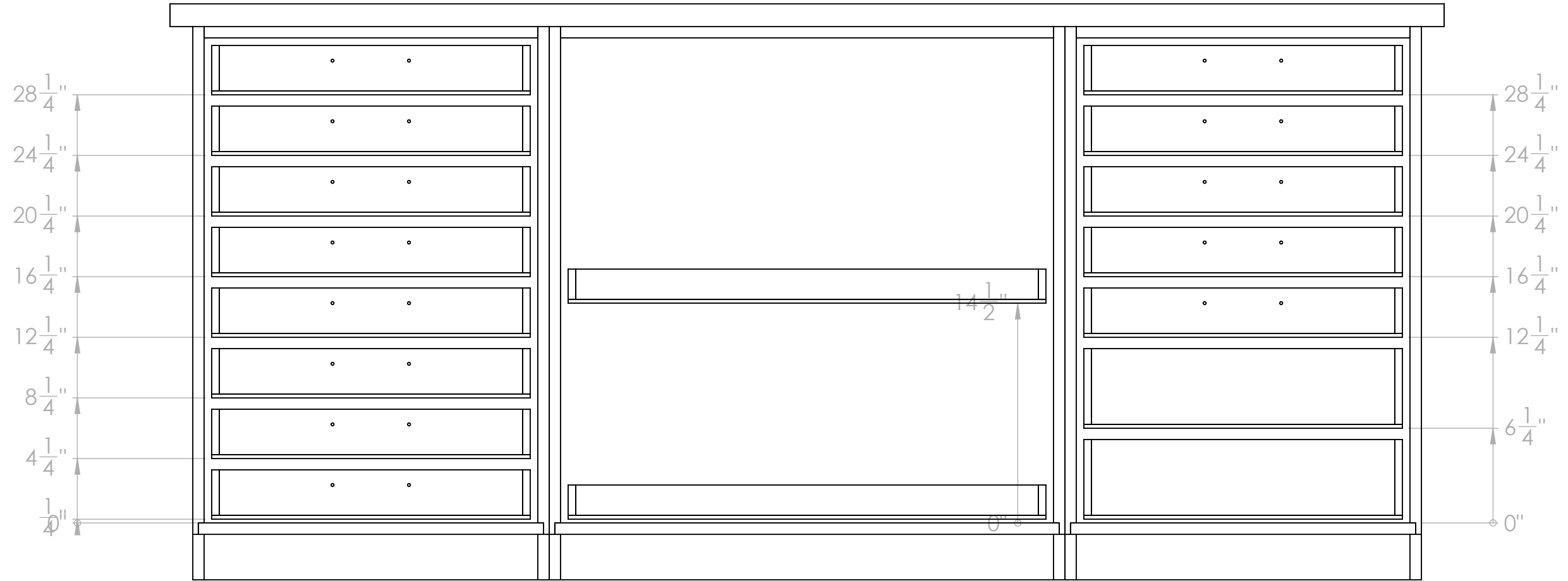
NOTES

1. Bottom Shelves are set in a dado 3/8" deep
2. Top stretchers are joined with pocket screws
3. Bottom shelves have a dado to accept LED aluminum channel

PROJECT TITLE		NATIONAL AERONAUTICS AND SPACE ADMINISTRATION LANGLEY RESEARCH CENTER HAMPTON, VA 23681			
APPROVALS		DRAWING TITLE			
PRINTED NAME	SIGNATURE	DATE			
DRWR		8/10/2020			
CHKR					
ENGR					
EEE			SIZE	CAGE CODE	DWG NO.
N/A or EEE			B	25305	Drawing#
PROJECT			SCALE	1:5	SHEET 4 of 5
N/A or M&P					
APPR					
*					

REVISIONS

ZONE	REV	DESCRIPTION	PROJECT	DATE	APPROVER	DATE
------	-----	-------------	---------	------	----------	------



PROJECT TITLE		NATIONAL AERONAUTICS AND SPACE ADMINISTRATION LANGLEY RESEARCH CENTER HAMPTON, VA 23681			
APPROVALS					
PRINTED NAME	SIGNATURE	DATE			
DRWR		8/10/2020			
CHKR					
ENGR					
EEE					
N/A or EEE			SIZE	CAGE CODE	DWG NO.
PROJECT			B	25305	Drawing#
N/A or M&P			SCALE	1:8	SHEET 5 of 5
APPR					REV. *
*					

1

2

3

4

5

6

1

2

3

4

5

6

A

A

B

B

C

C

D

D